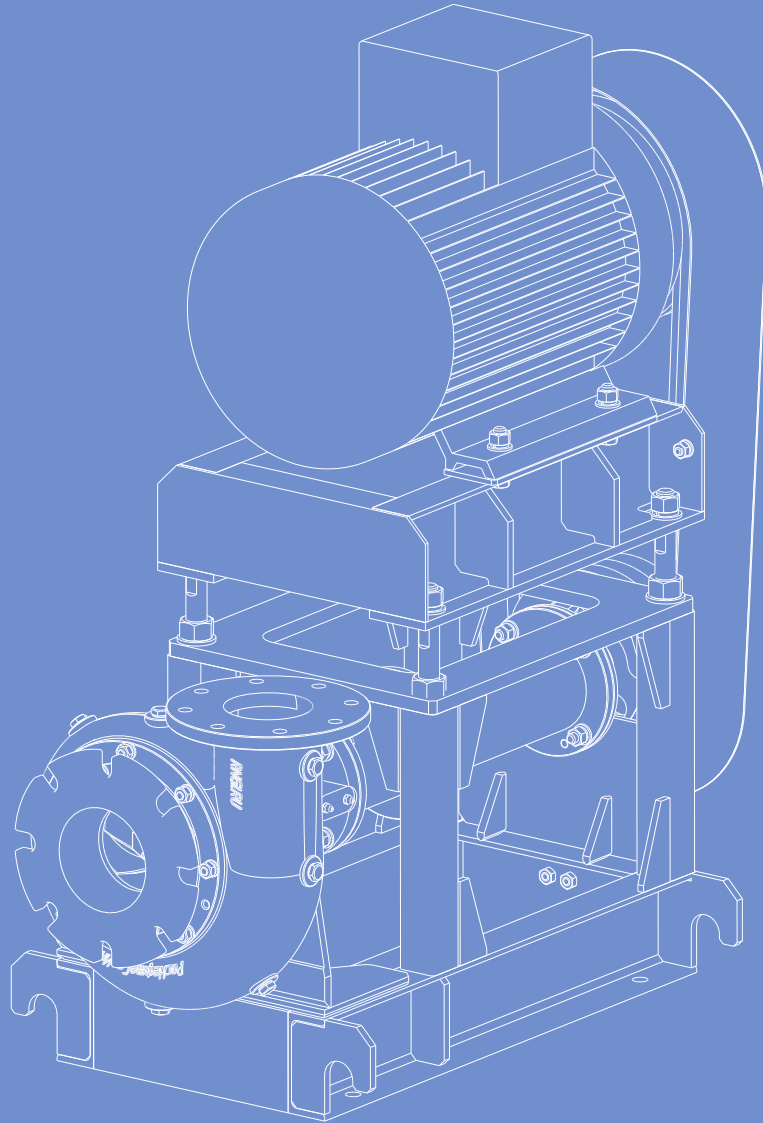


**RIFLON**

riflon.com



Pumping station with belt drive

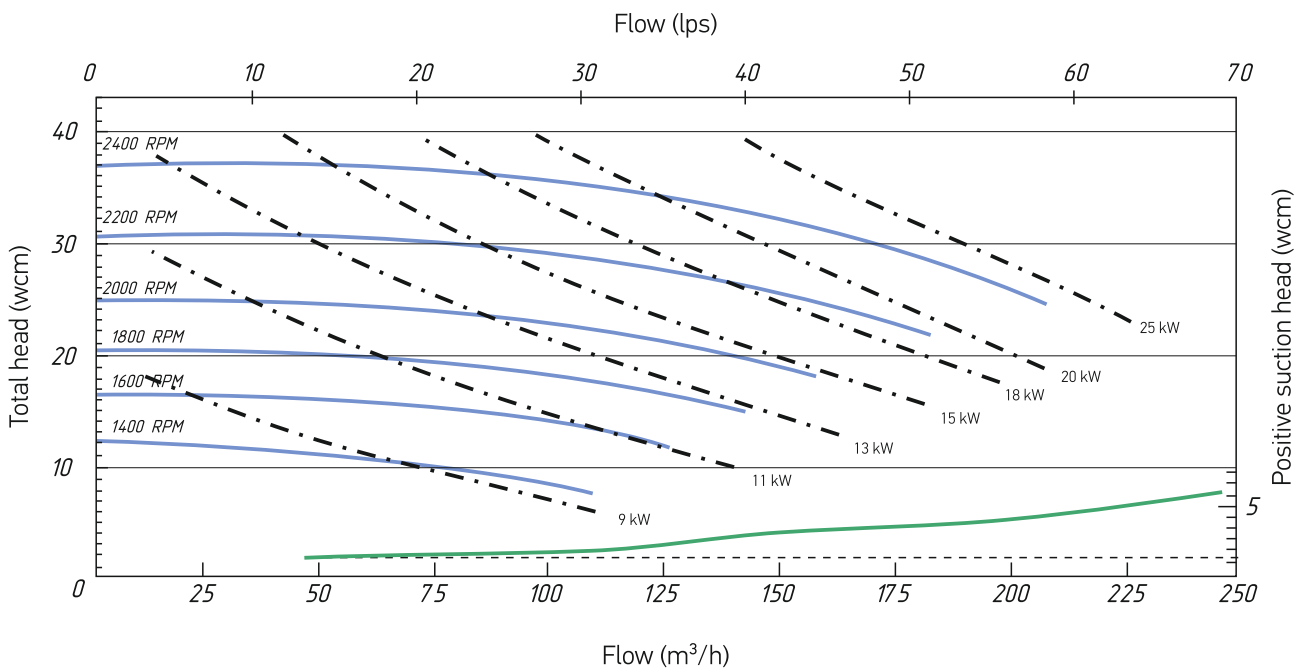
---

**SN-60.16,6.1,9R1-05.100.15.22**

## PUMPING STATION WITH BELT DRIVE SERIES SN-R1-05

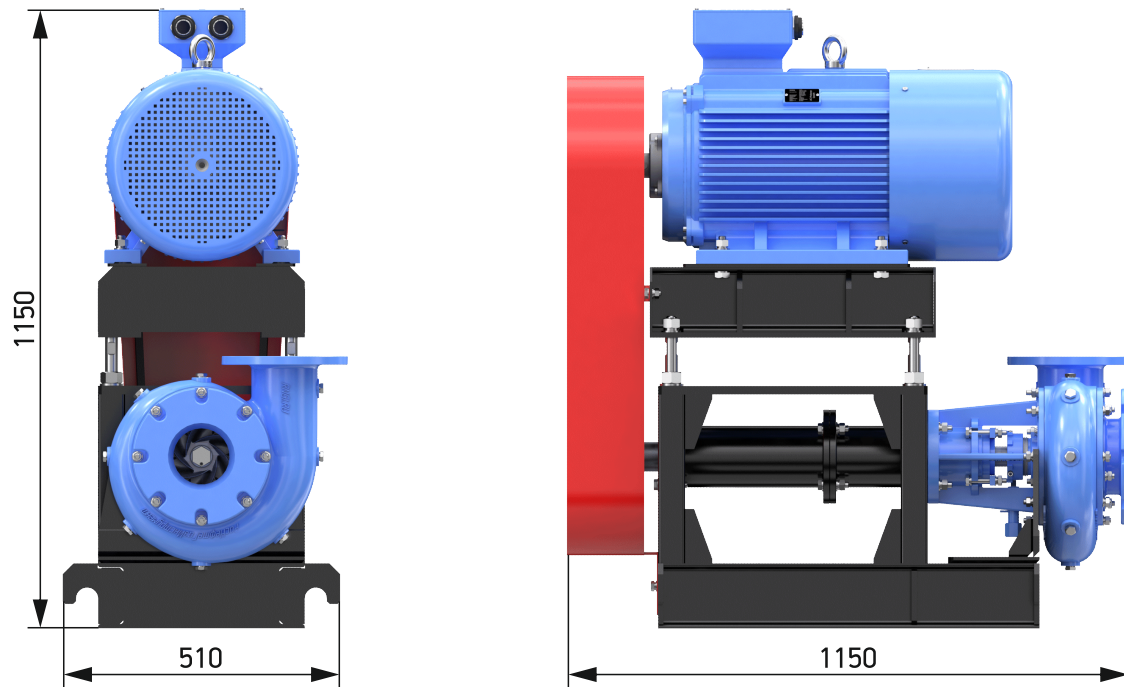
Pumping station SN-60.16,6.1,9R1-05.100.15.22 is intended to pump various liquids:

- abrasive hydraulic fluids (clay and gravel mortars, mixtures of water and sand, ore, etc.);
- flushing liquid used in the course of well drilling;
- household and industrial waste waters;
- for pumping drilling waste (drill cuttings, waste drilling fluid), oil-contaminated soil and process effluents from oil producing and oil refineries.



Picture1 - Graph of the pump shaft rotation speed and power consumption\* for a density of 1000 kg/m³

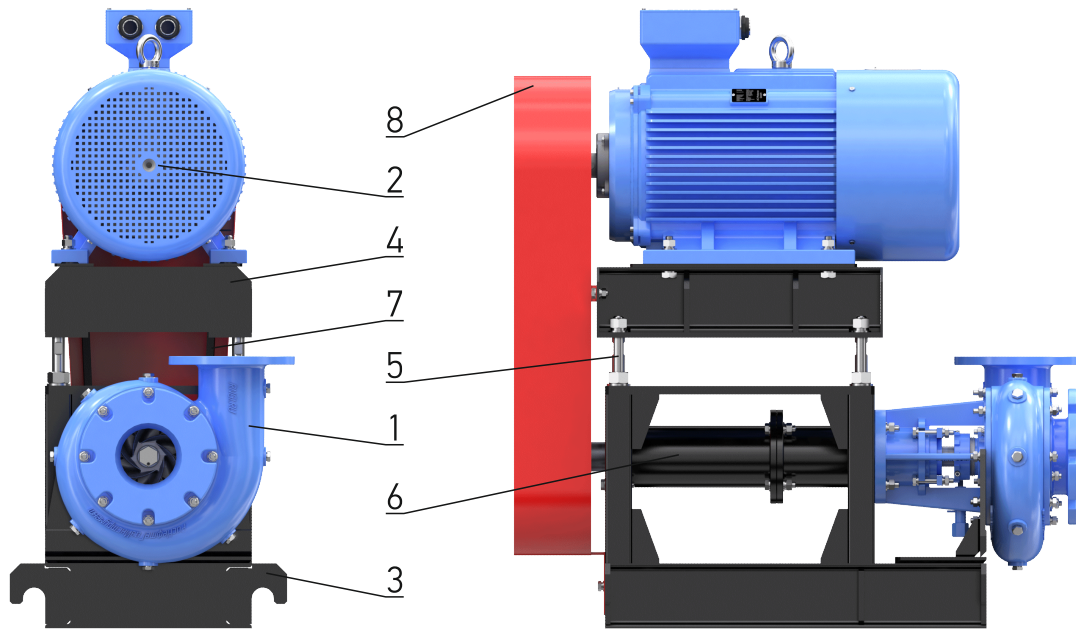
\* When pumping a working fluid of a different density, it is necessary to recalculate the power consumption by multiplying the power consumption value taken from the graph by the specific gravity of the pumped liquid.



Picture 2 - Pumping station SN-R1-05. Dimentions.

**Technical specifications of pumping station with belt drive SN-R1-05**

<b>Pumped fluid properties:</b>	SN-60.16,6.1,9R1-05.100.15.22
hydraulic fluid density, kg/m <sup>3</sup>	up to 1900
temperature, °C	+5 ... +55
solid particle content	up to 60%
solid particle maximal size, mm	at most 13
<b>Attributes:</b>	
Rated flow, m <sup>3</sup> /h (lps) at head, wcm. (bar)	60 (16.67) / 16.6 (1.66)
Max head, wcm. (bar)	18 (1.8)
Pressure flange DN, mm	100 (4")
Inlet flange DN, mm	125 (5")
Dimentions, LxBxH, mm	1150x510x1150
Station weight, kg, ±5%	620
<b>Electric motor:</b>	
Power, kW	22
Rate speed, rpm	1500
Rated current at 380 W, A	42
Weight, kg	165



Picture 3 - Pumping station SN-R1-05. Structure.

The pumping station SN-60.16,6.1,9R1-05.100.15.22 consists of a centrifugal pump NC-100R1 (pos.1) with a size of 5"x4"x8", mounted on a mounting frame (pos.3). The electric motor (pos.2) is located above the centrifugal pump and is mounted to the mounting frame (pos.4) The electric motor is raised and lowered using pins (item 5) On the pump housing there is a drive mechanism with a pulley (pos. 6) connected to the electric motor by means of belts (pos. 7) and closed casing (pos.8).

The pump housing is made of steel 40HL, the impeller (vane) is made of steel 20H13 with heat treatment. The use of these materials allows you to increase the life of the pump several times. It is also possible to manufacture the case from steel 20H13, and the impeller to be made with nitriding of the surface layer to obtain a hardness of up to 70 HRC. This combination will increase the life of the pump up to 10 times when working with abrasive mixtures.

The choice of the layout of the pumping station with a belt drive SN-R1-05

Pump volute position	Name	Mark the desired layout
Right	SN-60R1	<input type="checkbox"/>
Left	SN-60LR1	<input type="checkbox"/>

Additional options of the pumping station with a belt drive SN-R1-05

Pumping station control panel IP 54 (+5 ... +40°C)	<input type="checkbox"/>
Frequency converter (FC) for smooth control of the speed of rotation of the motor shaft	<input type="checkbox"/>
Dry-running protection of frequency converter shutdown by undercurrent	<input type="checkbox"/>
Line choke to reduce interference from the frequency converter to the line	<input type="checkbox"/>
Electrical cabinet connection cable with motor. Length _____ meters.	<input type="checkbox"/>
Emergency shutdown post on the frame of the pumping station	<input type="checkbox"/>
Mating flange kit	<input type="checkbox"/>
Mechanical seal (stuffing box is standard)	<input type="checkbox"/>

# ***RIFLON***

riflon.com

phone:  
+1 (512) 861-19-64

e-mail: [sales@riflon.com](mailto:sales@riflon.com)  
[www.riflon.com](http://www.riflon.com)

